

3.1 NMEA Output

Provided you have the appropriate SeaTalk instrumentation, the data listed below is transmitted in NMEA 0183 format for use with non-SeaTalk equipment.

Note: *NMEA is also output in response to NMEA input.*

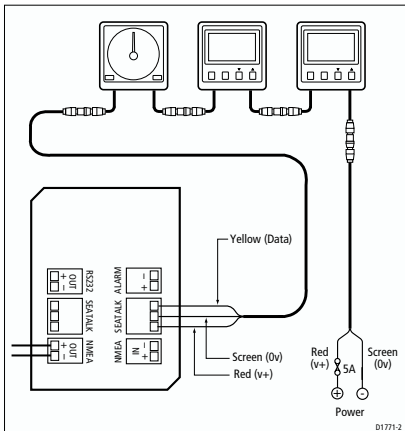
Data Header	Transmitted NMEA
Apparent Wind Angle	MWV, VWR
Apparent Wind Speed	MWV, VWR
Bearing to Waypoint	BWC, APB
Course Over Ground (M)	VTG
Cross Track Error	APB, XTE
Date	ZDA
Depth	DBT
Distance (Log)	VLW
Distance (Trip)	VLW
GPS Fix/No Fix	GGA, GLL
GPS HDOP	GSA, GGA
GPS PDOP	GSA
GPS Satellite Azimuth	GSV
GPS Satellite Elevation	GSV
GPS Satellite PR Number	GSV
GPS Satellite SNR	GSV
GPS Differential Station ID	GGA
GPS Differential AGE	GGA
GPS Number of Satellites	GGA
GPS Antenna Height	GGA

Data	NMEA Header
GPS Quality Indicator	GGA
Heading (Magnetic or True)	HDM, HDG, VHW, HDT
Latitude & Longitude	GGA, GLL *
Locked Heading	HSC
MOB (Cancel)	PNATA
Rudder Angle	RSA
Speed Over Ground	VTG
Speed Through water	VHW
Temperature, Water	MTW
Time	ZDA
Time Offset	ZTG
True Wind Angle	MWV, VWT
True Wind Direction	MWD
True Wind Speed	MWV, VWT, MWD
Variation	HDG
Waypoint Capture	WPL
Velocity Made Good to Wind	VPW
Waypoint Capture	WPL
Waypoint Destination No.	APB, BWC
Waypoint Arrival Alarm	APB, AAM
Waypoint Distance	BWC
Waypoint Time To Go	ZTG

* GLL version 1.5 is transmitted if version 1.5 is received via NMEA. If GLL version 2.0 is received via NMEA, GLL version 2.0 will be transmitted.

Cabling

The PC/SeaTalk/NMEA Interface should be connected to SeaTalk and the other manufacturer's equipment as follows:



3.2 NMEA Input

The PC/SeaTalk/NMEA Interface can also be used to convert NMEA 0183 data to SeaTalk. NMEA 0183 data is also re-transmitted on NMEA "OUT" in response to NMEA "IN". This allows non-SeaTalk equipment to be connected directly to the SeaTalk bus.

Note: *Data will not be transmitted to SeaTalk if it is already on present on the SeaTalk bus.*

Data Header	Received NMEA
Apparent Wind Angle	MWV, VWR
Apparent Wind Speed	MWV, VWR
Bearing to Waypoint	APB, BWR, BWC, RMB, BER, BEC
Course Over Ground (M)	VTG, VTA, RMC, RMA
Cross Track Error XTR	APB, XTE, APA, RMB,
Date	ZDA, RMC
Depth	DBT, DPT
Distance (Log)	VLW
Distance (Trip)	VLW
GPS Fix/No Fix	GGA, GSA
GPS HDOP	GGA, GSA
GPS PDOP	GSA
GPS Satellite Azimuth	GSV
GPS Satellite Elevation	GSV
GPS Satellite PR Number	GSV

GPS Satellite SNR	GSV
GPS Differential Station ID	GGA
Data	NMEA Header
GPS Differential AGE	GGA
GPS Number of Satellites	GGA
GPS Antenna Height	GGA
GPS Quality Indicator	GGA
Heading (Magnetic or True)	HDM, HDG, VHWP, HDT
Latitude & Longitude 1.5)	GGA, GLL (inc. Version RMC, RMA, IMA, GLP, GOP, GXP,
GDP	
MOB (Cancel)	PNATA
Route	WPL
Speed Over Ground	VTG, VTA, RMC, RMA
Speed Through water	VHW
Temperature, Water	MTW
Time	ZDA, GLL, ZFO, ZTG
True Wind Angle	MWV
Variation	HDG, HVM, RMC,
RMA,	
	HVD
Waypoint Destination No.	APB, BWR, BWC, RMB, BOD, WCV, BER, BEC
Waypoint Arrival Alarm	APB, APA, AAM
Waypoint Distance	BWC, BWR

Waypoint Lat & Lon

RMB, BER, BEC

Waypoint Capture

BWC, BWR, BEC, BER

Waypoints, last one & next 4

WPL

PNATA

Cabling (ST1,2,3000 autopilots)

