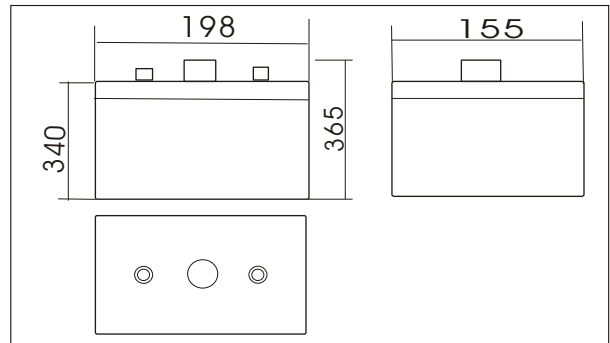




SWT(8PzS480)(2V480AH)



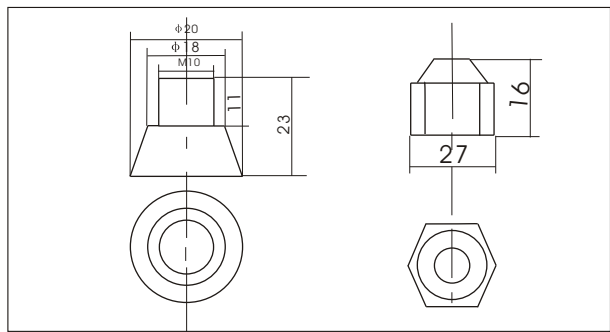
Outer dimensions (mm)



Specifications

Nominal Voltage		2 V
Rated capacity (5 hour rate)		480 Ah
Dimensions	Total Height	365 mm (14.37 inches)
	Height	340mm (13.39inches)
	Length	155 mm (6.10 inches)
	Width	198 mm (7.80inches)
Weight Approx (Dry)		22 Kg (48.5lbs)

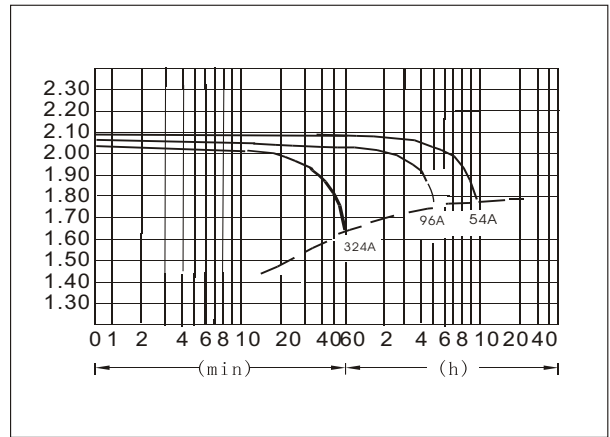
Terminal Type (mm)



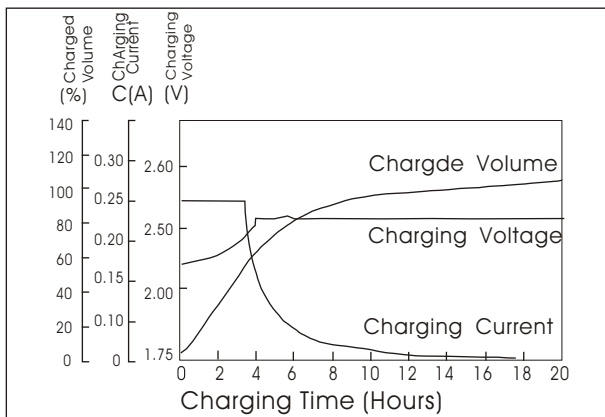
Characteristics

Capacity 25°C(77°F)	10 hour rate(54 A)	540AH
	5 hour rate(96A)	480 AH
	1 hour rate(324A)	324AH
Capacity affected by Temperature (10hour rate)	40°C(104°F)	102%
	25°C(77°F)	100%
	0°C(32°F)	85%
	-15°C(5°F)	65%
Self-Discharge at 25°C(77°F)	Capacity after 3 month storage	91%
	Capacity after 6 month storage	82%
	Capacity after 12 month storage	64%
Terminal quantity	2	
Charge (constant Voltage)	Initial Charging Current less than 120.0A Voltage 2.50-2.60V	

Discharge Curves 25°C(77°F)



Charging characteristics(25°C)



Cycling Curves

